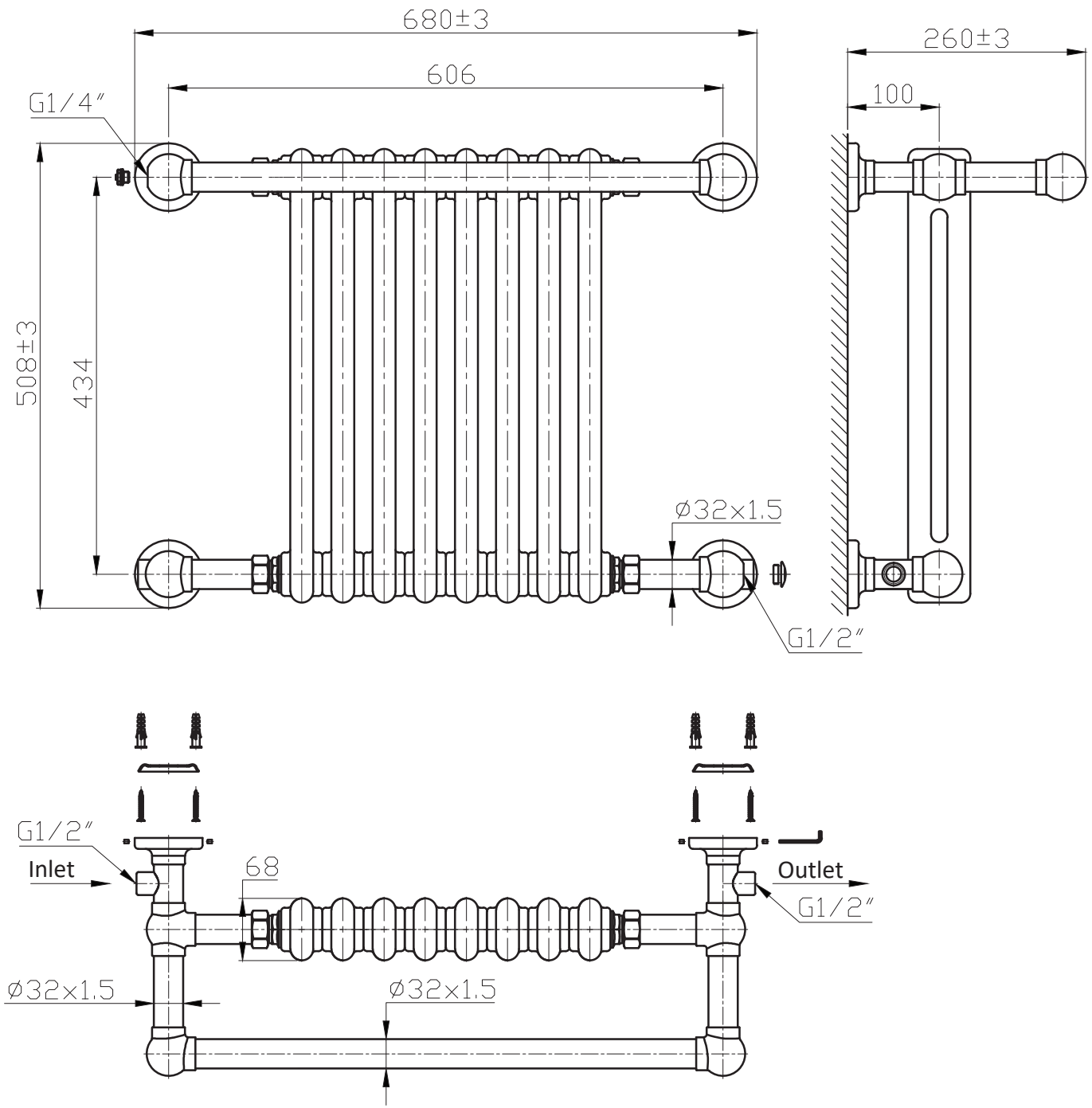


Note: unit is mm.



Note: unit is mm.