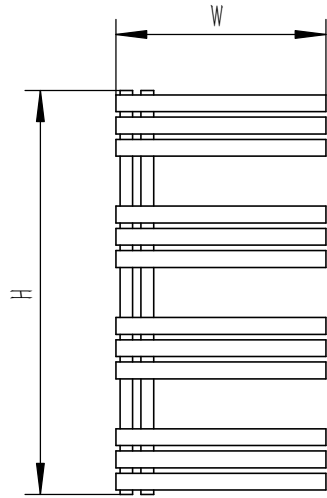
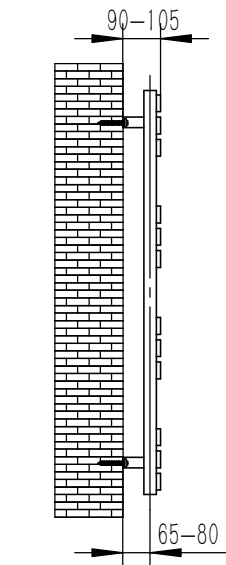


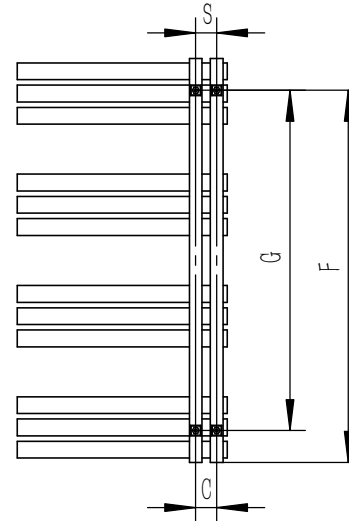
LOVERE



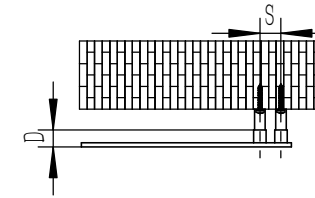
FRONT VIEW



SIDE VIEW



BACK VIEW



TOP VIEW

SUPPLIED INSTALLATION ACCESSORIES



BLANKING PLUG 1PCS



INSERT 4PCS



SCREW 4PCS



AIR VENT 1PCS



BRACKET 4PCS



WALL PLUG 4PCS



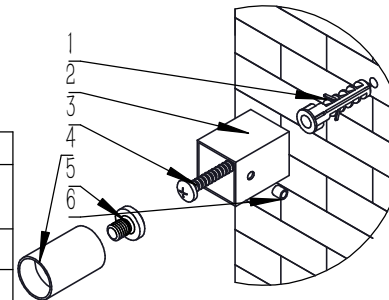
GRAB SCREW 4PCS



SCREW 4PCS



ALIEN KEYS 1PCS



- Vertical Mounting
- Optional 304 QUALITY STAINLESS STEEL RADIATOR (RNS-LVR5096P:LOVERE RADIATOR)
- POLISHED
- MAX Operational Pressure:10Bar
- Inlet/Outlet:1/2"Female Pipe Thread
- All Dimensions are in mm

Product Name	Product Code	Height	Width	Thick Ness	Plumbing Axes Center to Center	Hanger Axes Horizontal	Hanger To Bottom of the Product	Hanger Axes Vertical	Water Volume	Empty Weight	Thermal Output
		H	W	D	C	S	F	G	-	-	Wat-Btu/hr($\Delta 50^\circ$)
		mm	mm	mm	mm	mm	mm	mm	mm	L	kg
LOVERE	RNS-LVR5069P	696	500	40	50	50	618	540			
LOVERE	RNS-LVR5096P	961	500	40	50	50	885.5	810			
LOVERE	RNS-LVR5123P	1226	500	40	50	50	1153	1080			

www.reinadesign.co.uk

info@atayglobal.com

TEL:+44 1787 238540

REINA