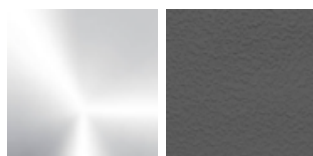
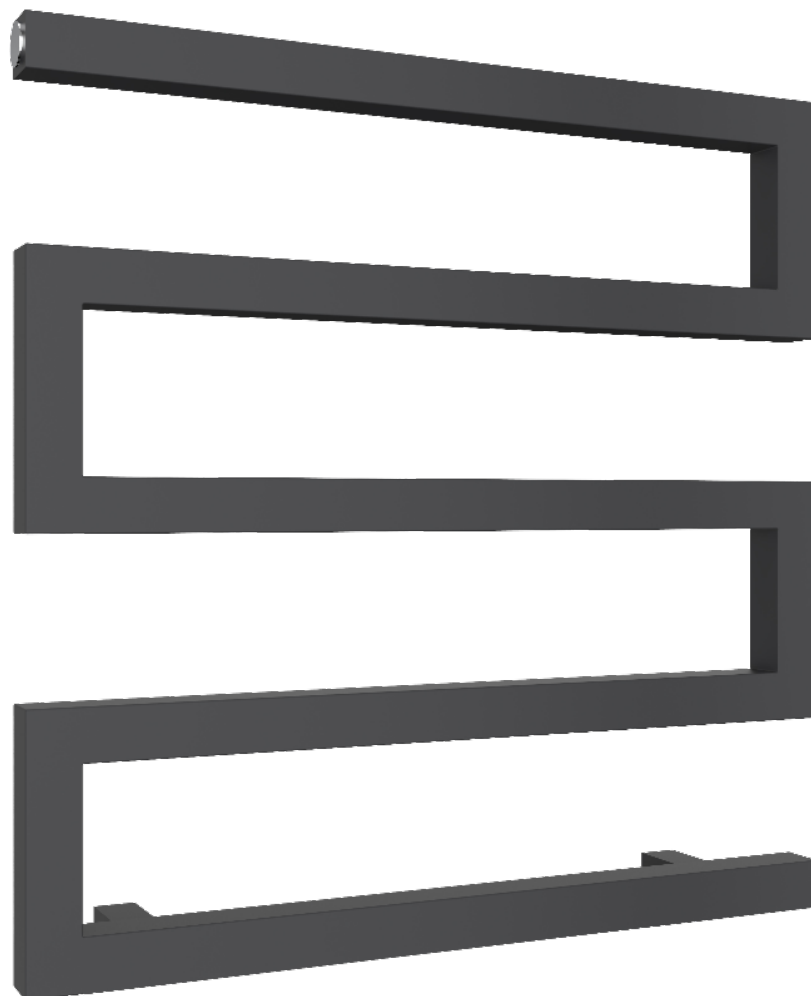


SERPE

Mild Steel Towel Rail



REINA
DESIGNER RADIATOR



chrome

anthracite

REINA
DESIGNER RADIATOR



SERPE

Mild Steel Towel Rail



REINA
DESIGNER RADIATOR

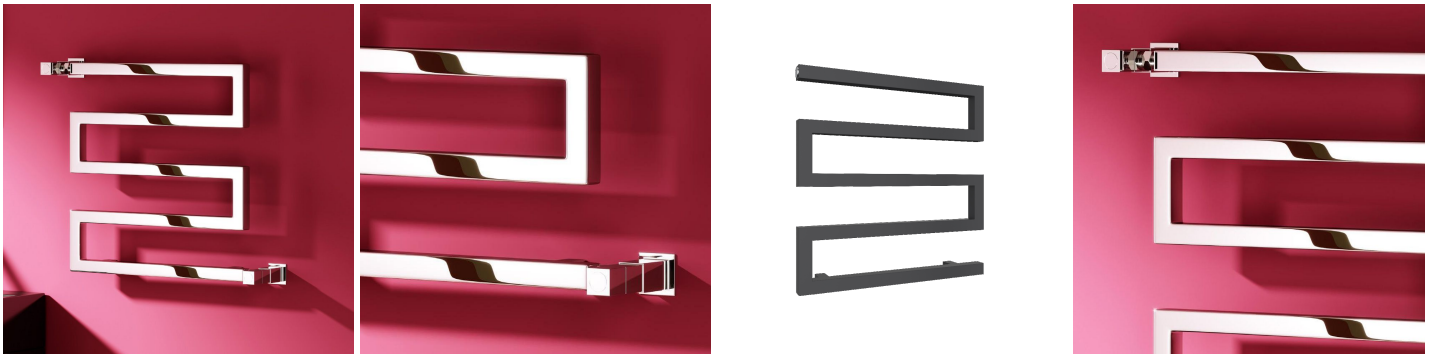


5 Years Guarantee



Material: Mild Steel

The Serpe Designer S-Shaped Towel Radiator features a striking "snake" design that adds a unique flair to any bathroom. Constructed from durable steel and available in elegant anthracite or chrome finishes, it delivers superb heat output through its innovative square tubes. Backed by a 5-year guarantee, the Serpe combines artistic style with exceptional functionality, making it a standout choice for modern interiors.

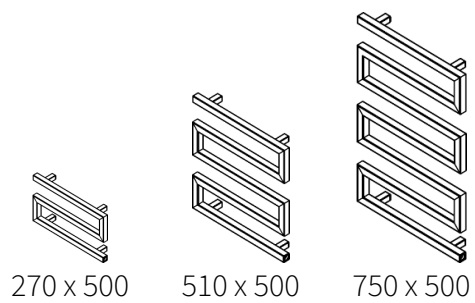


SERPE

Mild Steel Towel Rail



Available Sizes



Available Colours





Dimensions & Technical Data

Height (mm)	Width (mm)	Pipe Centres (mm)	Wall to Pipe Centres (mm)	Wall Distance (mm)	Dry Weight	No. Bars	Fuel Type
270	500	500	65-80	80-95	-		C
510	500	500	65-80	80-95	-		C
750	500	500	65-80	80-95	-		C

C: Central Heating / E: Electric / D: Dual Fuel



Central Heating Heat Outputs

Model/SKU	Height (mm)	Width (mm)	Colour	Heat Outputs $\Delta T 50^{\circ}\text{C}$		Heat Outputs $\Delta T 60^{\circ}\text{C}$	
				BTU	Watts	BTU	Watts
RND-SRP0275	270	500	☁ Chrome	363	107	465	136
RND-SRP0275A	270	500	● Anthracite	538	158	688	202
RND-SRP0515	510	500	☁ Chrome	621	182	795	233
RND-SRP0515A	510	500	● Anthracite	925	271	1184	347
RND-SRP0755	750	500	☁ Chrome	737	216	943	277
RND-SRP0755A	750	500	● Anthracite	1140	334	1459	428